

Models: PF10CCE



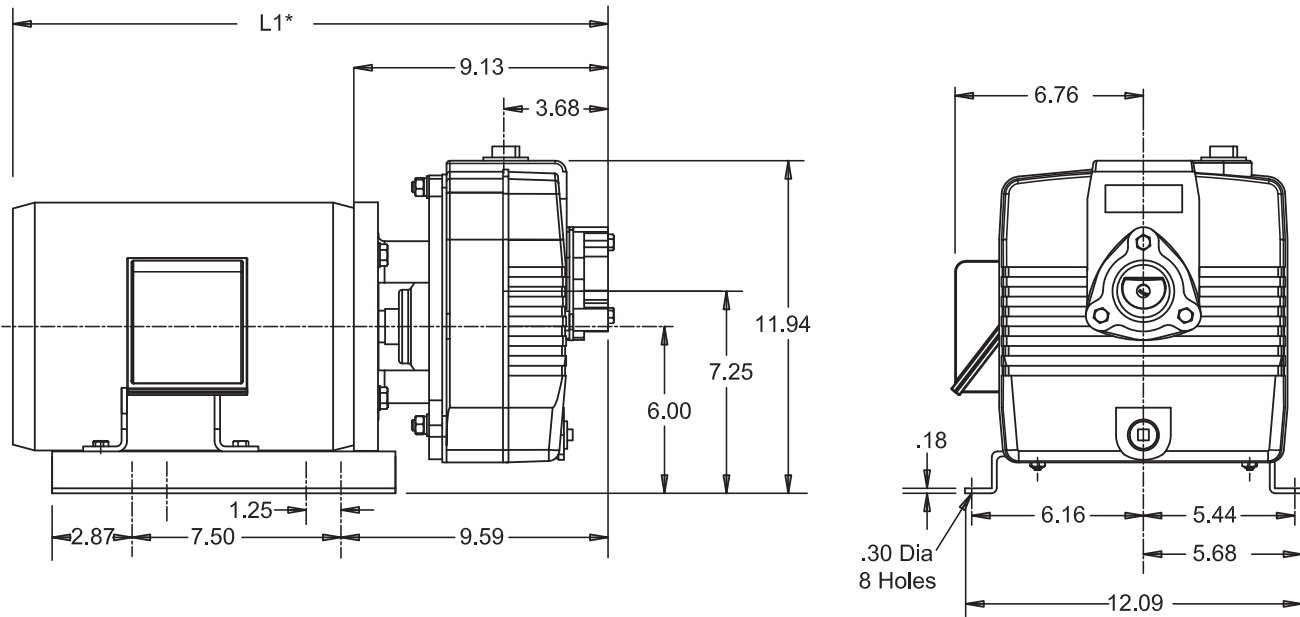
**Self-Priming,
Close Coupled Pumps
5HP
3450RPM**

Features:

Self-priming centrifugal pumps designed for marine, municipal and industrial applications.

- **SUCTION/DISCHARGE:** 2" x 2" NPT, Female
- **LIQUID TEMPERATURE:** 160°F Continuous
- **INTERMEDIATE:** Cast Iron, ASTM, Class 30
- **VOLUTE:** Cast Iron, ASTM, Class 30
- **BODY:** Cast Iron, ASTM, Class 30
- **BASE:** Steel
- **PAINT:** Air dry enamel
- **SQUARE RINGS:** Buna-N
- **SHAFT:** 1035 cold rolled steel with bronze sleeve
- **HARDWARE:** Steel & Stainless steel
- **IMPELLER:** Open, trash type, dynamically balanced. 1/2" Dia., Spherical Solids, Material: Cast Iron
- **SEAL:** Design: Mechanical, Self Lubricated, 1.25" Dia. Material: Carbon/Ni-Resist/Buna-N
- **CHECK VALVE:** Valve Flap-Neoprene, Weight- Steel
- **MOTOR:** Open Drip Proof - C-Face, Footed, Squirrel Cage Induction. 40°C Ambient, Insulation: Class B or F
or
TEFC - C-Face, Squirrel Cage Induction. 40°C Ambient, Insulation: Class B or F
- **SINGLE PHASE:** Dual-Voltage 230
- **THREE PHASE:** Dual-Voltage 230/460, Usable at 208
- **OPTIONAL:** Bronze Fitted, Volute and Impeller, IEEE-45 TEFC Motors
- **WARRANTY:** 1 year

Models: PF10CCE



Model	HP	Enclosure	Frame	Volt Usable at 208	Phase	Hz	RPM	Full Load Amps*	L1* inches	Weight lbs
PF10CCE1	5.0	ODP	184T	208-230	1	60	3450	24-23	20.57	165
PF10CCE1-T	5.0	TEFC	184T	230	1	60	3450	19.5	23.63	178
PF10CCE3	5.0	ODP	182T	208-230/460v	3	60	3450	13-12/6	21.25	168
PF10CCE3-T	5.0	TEFC	182T	208-230/460	3	60	3450	12.6-11.6/5.8	22.81	165

(*) Overall length of unit and AMPS is subject to the Motor Manufacture.
 For Bronze Fitted add suffix (-BF for ODP or -TBF for TEFC) to model number. EXAMPLE: PF3CCE3-BF

Self-Priming Centrifugal Pumps - PFCCE - 2" x 2" NPT

Models: PF10CCE

Self-Priming Centrifugal Pumps - PFCCE - 2" x 2" NPT

